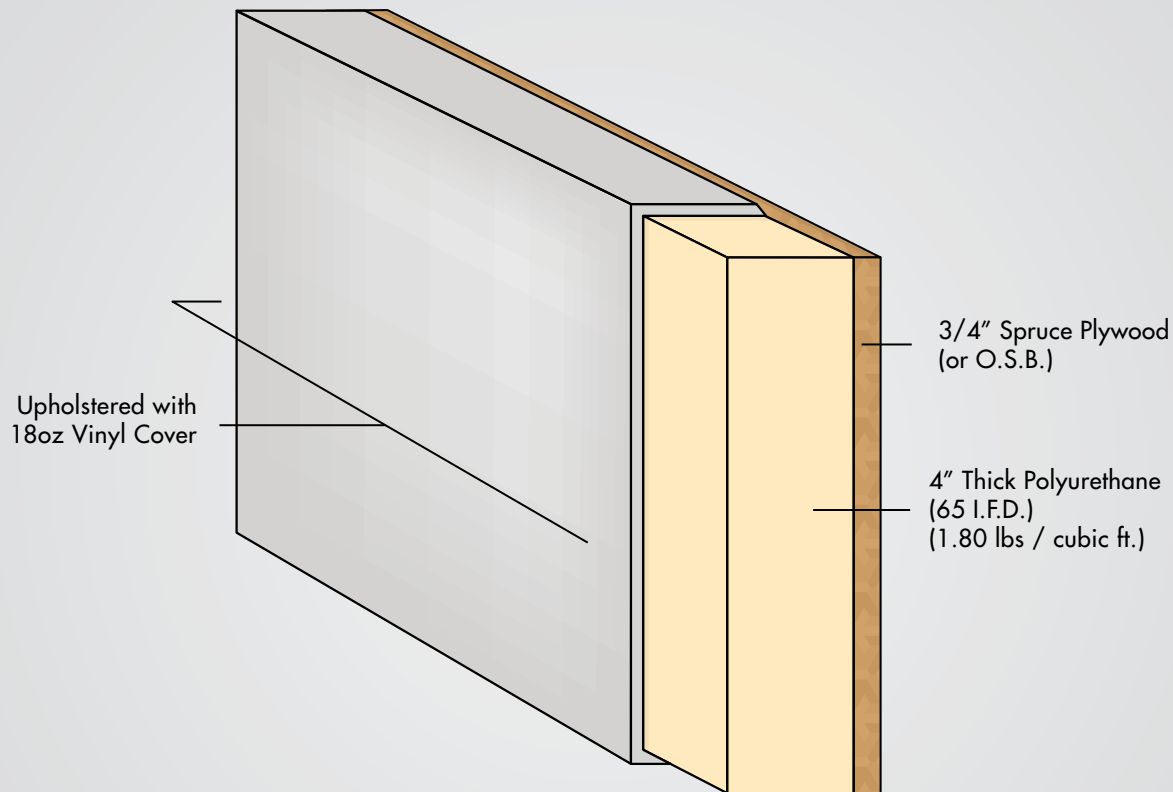


4" STADIUM WALL PAD



FOAM SPECIFICATIONS

- Wall pad backing is 3/4" spruce plywood or O.S.B.
- 4" thick polyurethane foam, open cell, 1.80 lbs/cubic ft., 65 I.F.D (Indentation Force Deflection)
- Foam meets California Technical Bulletin 117 for Smolder flammability test
- Foam passes Standard Smolder Resistance of resilient filling material test (Technical Bulletin 117 2013)
- Federal Motor Vehicle Safety Std. 302 Pass

COATED VINYL FABRIC (PVC)

AVAILABLE COLOURS

Cobalt Royal Blue, Royal Blue 2, Navy Blue, Forest Green, Kelly Green, Red, Burgundy, Purple, Pink, Yellow, Orange, White, Grey, Tan, Brown, Black

SPECIAL FEATURES

- Overall Weight 18 oz per square yard
 - Mildew and rot resistant
 - Ultraviolet light resistant
 - Weave count 20/20
 - Tensile 444/441
 - Adhesion 17 lbs/2"
 - Tongue tear 81 x 83 lbs/inch
 - Low cold crack -40 degrees Celsius
 - Vinyl is fully encased around entire wall pad for waterproofing
1. California Bill 1108 compliant meeting less than 0.1% phthalates
 2. Lead free test ASTM 1613
 3. FR to NFPA 701 USA/CPAI 84 Section (2 second extinguish)
 4. Fire Retardant to CAN/ULCS 109
 5. Fire Retardant to ASTM E84 Class A