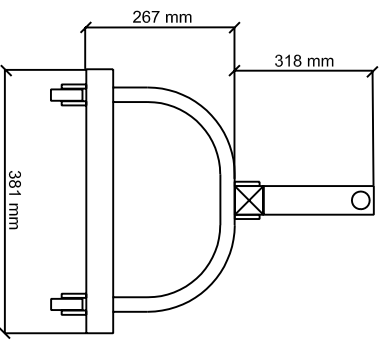


TOP VIEW



FEATURES:

- ADJUSTABLE HEIGHT TO MEET ALL HEIGHT CATEGORIES
- CAN BE USED FOR BOTH VOLLEYBALL AND BADMINTON
- WEB BELT LEADER
- EXCLUSIVE CHROME PLATED UPRIGHT
- ELIMINATES SCRATCHING FROM SLIDERS

REVISION	DATE	FORUM NO.	<p>F50202 RECREATIONAL VOLLEYBALL POST</p> <p>FORUM Athletic Products Inc 1-7517 Brien Road Mississauga, ON L4T 3V4</p>	DRAWING BY	PS
		DATE		CHECKED BY	DGC
		7/6/01		DRAWING NO.	701