

2" REMOVABLE STAGE PADDING



Apple stage pads are constructed to comply with **OPHEA Ontario Physical Education Safety Guidelines** by having a 12" padded run flap on the top to cover and pad stage edge. The front of the stage pads extends down the front of stage to within 2" from the floor.

FOAM SPECIFICATIONS

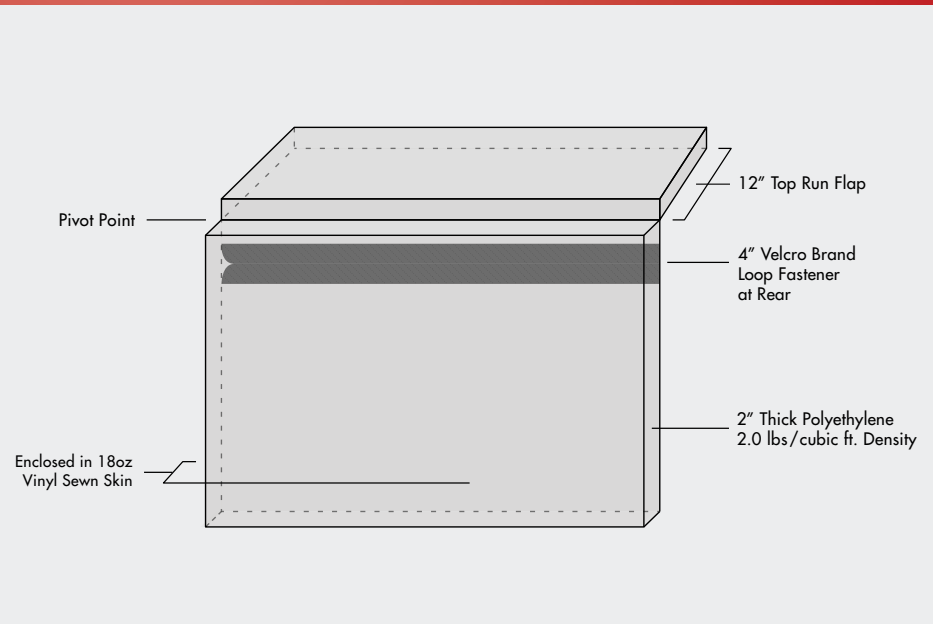
Stage padding is manufactured with 2" high density polyethylene foam. This superior foam is 2.0 lbs/cu.ft. density. Foam passes FMVSS 302 flammability test.

COATED VINYL FABRIC (PVC)

SPECIAL FEATURES

1. California Bill 1108 compliant meeting less than 0.1% phthalates
2. Lead free test ASTM 1613
3. FR to NFPA 701 USA/CPAI 84 Section (2 second extinguish)
4. Fire Retardant to CAN/ULCS 109
5. Fire Retardant to ASTM E84 Class A

- Overall Weight 18 oz per square yard
- Mildew and rot resistant
- Ultraviolet light resistant
- Weave count 20/20
- Tensile 444/441
- Adhesion 17 lbs/2"
- Tongue tear 81 x 83 lbs/inch
- Low cold crack -40 degrees Celsius
- All Velcro used in manufacturing is Velcro Brand.



Stage pad attachment is with a 4" Velcro strip sewn onto the back top side of where the mat folds. 4" Velcro rail stripping is attached to the front face of the stage (not the stage floor) for superior attachment and to not create a tripping hazard when stage pads are not in place.

Stage padding systems are custom made to fit your stage and pads are made to be all equal sizes to make your stage look uniform and ecstatically pleasing.

AVAILABLE COLOURS

Cobalt Royal Blue, Royal Blue 2, Navy Blue, Forest Green, Kelly Green, Red, Burgundy, Purple, Pink, Yellow, Orange, White, Grey, Tan, Brown, Black